

Qty. Description

1 **UPS 50-120 F**



Note! Product picture may differ from actual product

Product No.: [96402101](#)

The pump is of the canned rotor type, i.e. pump and motor form an integral unit without shaft seal and with only two gaskets for sealing. The bearings are lubricated by the pumped liquid.

In order to avoid problems in connection with disposal, great importance has been attached to using as few different materials as possible.

The pump is characterized by:

- Speed no: * 3 speed motor.
- * Ceramic radial bearings.
- * Carbon axial bearing.
- * Stainless steel rotor can, bearing plate and rotor cladding.
- * Aluminium alloy stator housing.
- Pump housing: * Cast iron pump housing.
- * Stator with built-in thermal switch.

Phase: The motor is a 1-phase motor.

The pump is supplied with a standard module in the terminal box.

The standard module is to be connected to the mains supply via external contactor.

Controls:

Relay: without relay

Liquid:

Pumped liquid: Water
 Liquid temperature range: -10 .. 120 °C
 Selected liquid temperature: 60 °C
 Density: 983.2 kg/m³

Technical:

Approvals on nameplate: AAA,EAC

Materials:

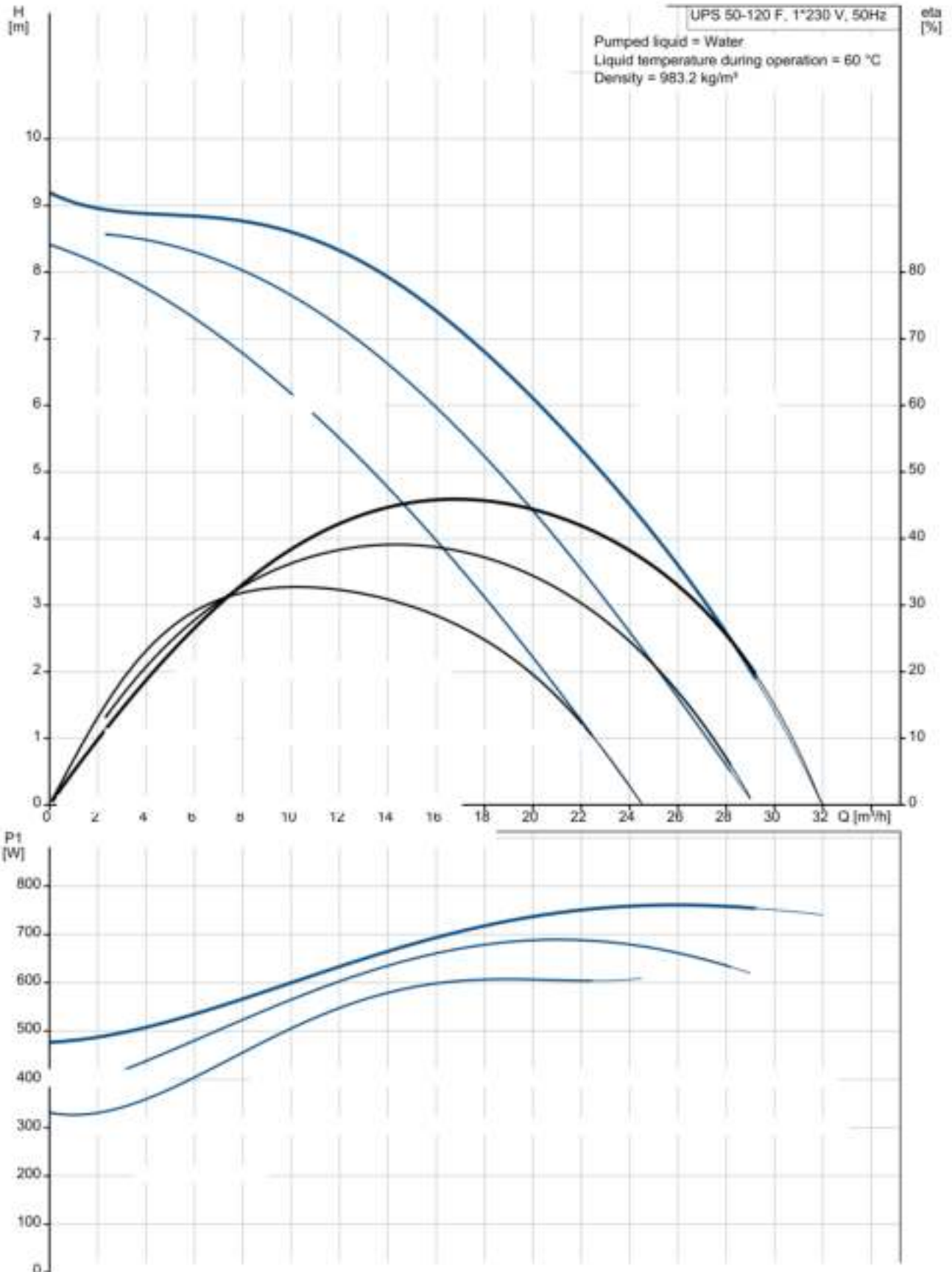
Pump housing: Cast iron
 EN-JL1040
 ASTM 35 B - 40 B
 Impeller: Stainless steel
 DIN W.-Nr. 1.4301
 AISI 304

Installation:

Range of ambient temperature: 0 .. 40 °C

Qty.	Description
	Maximum operating pressure: 10 bar
	Flange standard: DIN
	Pipe connection: DN 50
	Pressure rating: PN 6 / PN 10
	Port-to-port length: 280 mm
	Electrical data:
	Power input in speed 1: 620 W
	Power input in speed 2: 700 W
	Max. power input: 760 W
	Mains frequency: 50 Hz
	Rated voltage: 1 x 230-240 V
	Current in speed 1: 3.05 A
	Current in speed 2: 3.35 A
	Current in speed 3: 3.6 A
	Cos phi in speed 1: 0.88
	Cos phi in speed 2: 0.91
	Cos phi: 0.92
	Capacitor size - run: 25 µF/400 V
	Insulation class (IEC 85): H
	Enclosure class (IEC 60529): X4D
	Others:
	Net weight: 27.5 kg
	Gross weight: 28 kg
	Shipping volume: 0.043 m ³

96402101 UPS 50-120 F 50 Hz



Description

General information:

Product name: UPS 50-120 F
 Product No: 96402101
 EAN number: 5700390659493
 Price:

Technical:

Speed no: 3
 Head max: 120 dm
 Approvals on nameplate: AAA,EAC

Materials:

Pump housing: Cast iron
 Pump housing: EN-JL1040
 Pump housing: ASTM 35 B - 40 B
 Impeller: Stainless steel
 Impeller: DIN W.-Nr. 1,4301
 Impeller: AISI 304

Installation:

Range of ambient temperature: 0 .. 40 °C
 Maximum operating pressure: 10 bar
 Flange standard: DIN
 Pipe connection: DN 50
 Pressure rating: PN 6 / PN 10
 Port-to-port length: 280 mm

Liquid:

Pumped liquid: Water
 Liquid temperature range: -10 .. 120 °C
 Selected liquid temperature: 60 °C
 Density: 983.2 kg/m³

Electrical data:

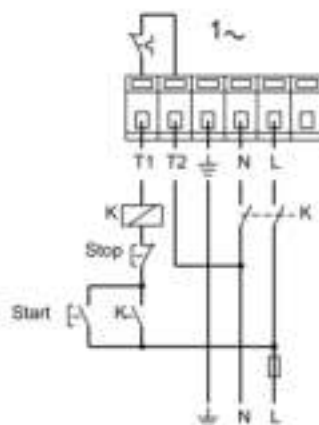
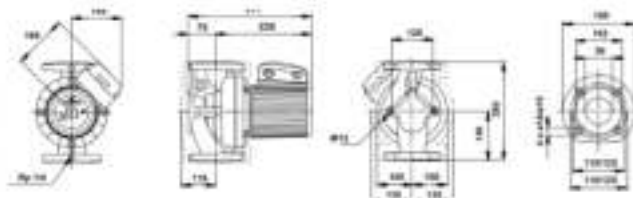
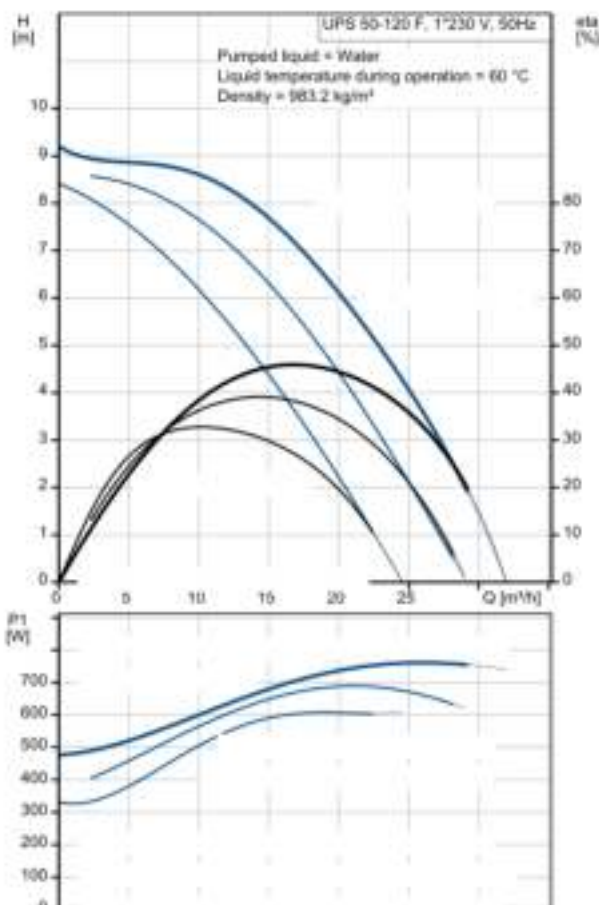
Power input in speed 1: 620 W
 Power input in speed 2: 700 W
 Max. power input: 760 W
 Mains frequency: 50 Hz
 Rated voltage: 1 x 230-240 V
 Current in speed 1: 3.05 A
 Current in speed 2: 3.35 A
 Current in speed 3: 3.6 A
 Cos phi in speed 1: 0.88
 Cos phi in speed 2: 0.91
 Cos phi: 0.92
 Capacitor size - run: 25 µF/400 V
 Insulation class (IEC 85): H
 Enclosure class (IEC 60529): X4D
 Motor protec: CONTACT
 Thermal protec: external

Controls:

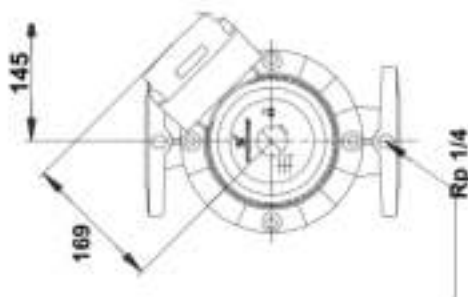
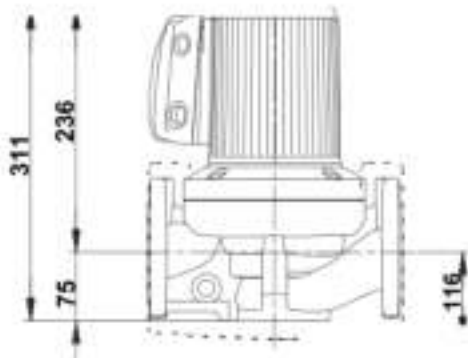
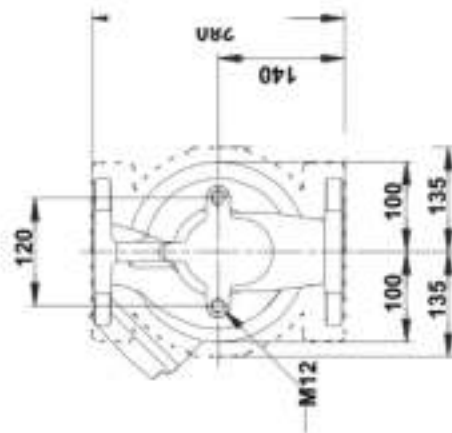
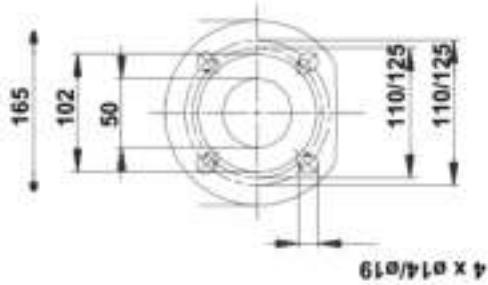
Relay: without relay
 Pos term box: 1.30H

Others:

Net weight: 27.5 kg
 Gross weight: 28 kg
 Shipping volume: 0.043 m³

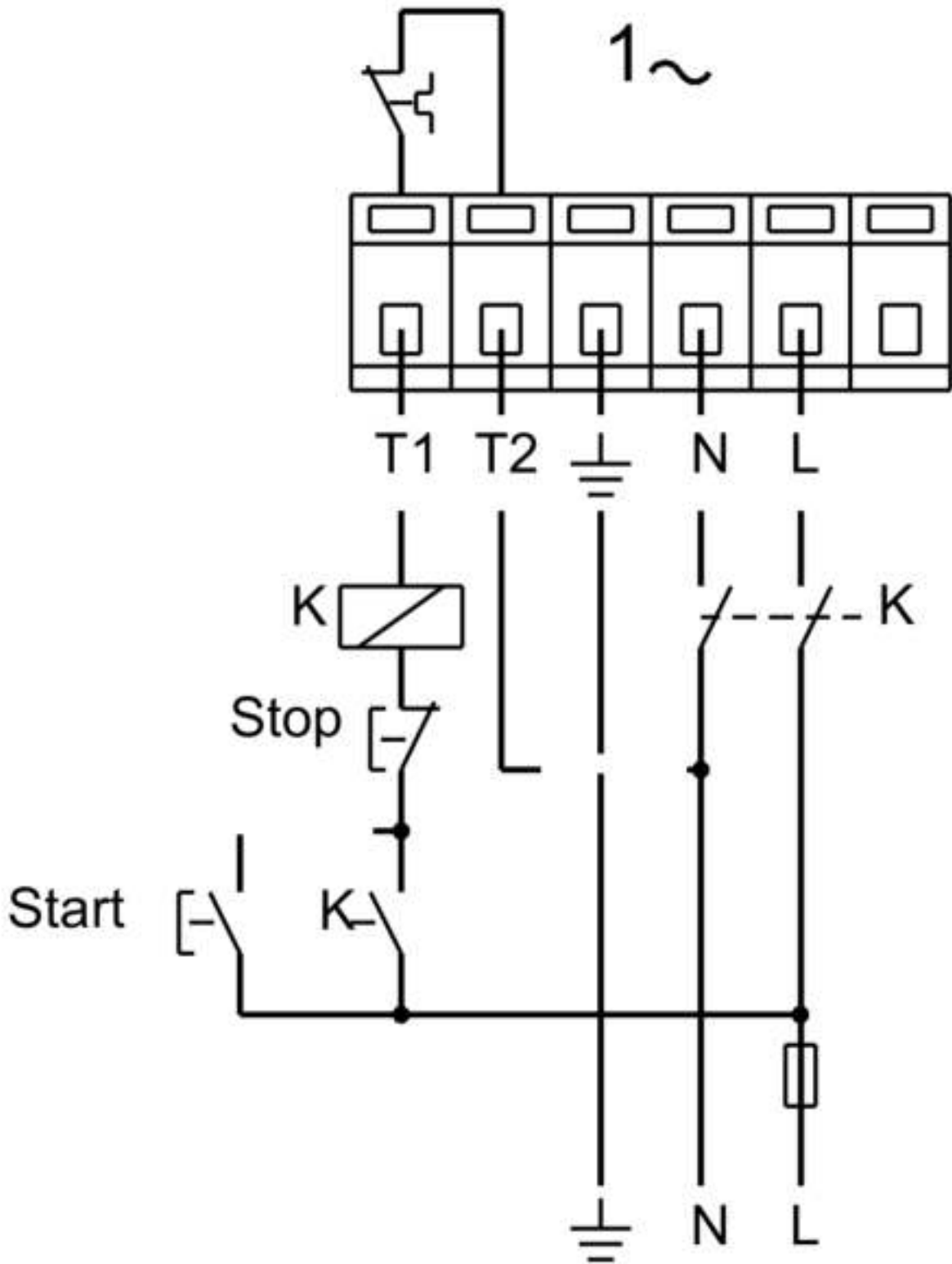


96402101 UPS 50-120 F 50 Hz



Note! All units are in [mm] unless others are stated.
 Disclaimer: This simplified dimensional drawing does not show all details.

96402101 UPS 50-120 F 50 Hz



Note! All units are in [mm] unless others are stated.

Qty. Description

1 UPS 50-120 F



Note! Product picture may differ from actual product

Product No.: 96402103

The pump is of the canned rotor type, i.e. pump and motor form an integral unit without shaft seal and with only two gaskets for sealing. The bearings are lubricated by the pumped liquid.

In order to avoid problems in connection with disposal, great importance has been attached to using as few different materials as possible.

The pump is characterized by:

- Speed no: * 3 speed motor.
- * Ceramic radial bearings.
- * Carbon axial bearing.
- * Stainless steel rotor can, bearing plate and rotor cladding.
- * Aluminium alloy stator housing.
- Pump housing: * Cast iron pump housing.
- * Stator with built-in thermal switch.

Phase: The motor is a 3-phase motor.

The pump is supplied with a standard module in the terminal box. The standard module is to be connected to the mains supply via external contactor.

Controls:

Relay: without relay

Liquid:

Pumped liquid: Water
 Liquid temperature range: -10 .. 120 °C
 Selected liquid temperature: 60 °C
 Density: 983.2 kg/m³

Technical:

Approvals on nameplate: AAA,EAC

Materials:

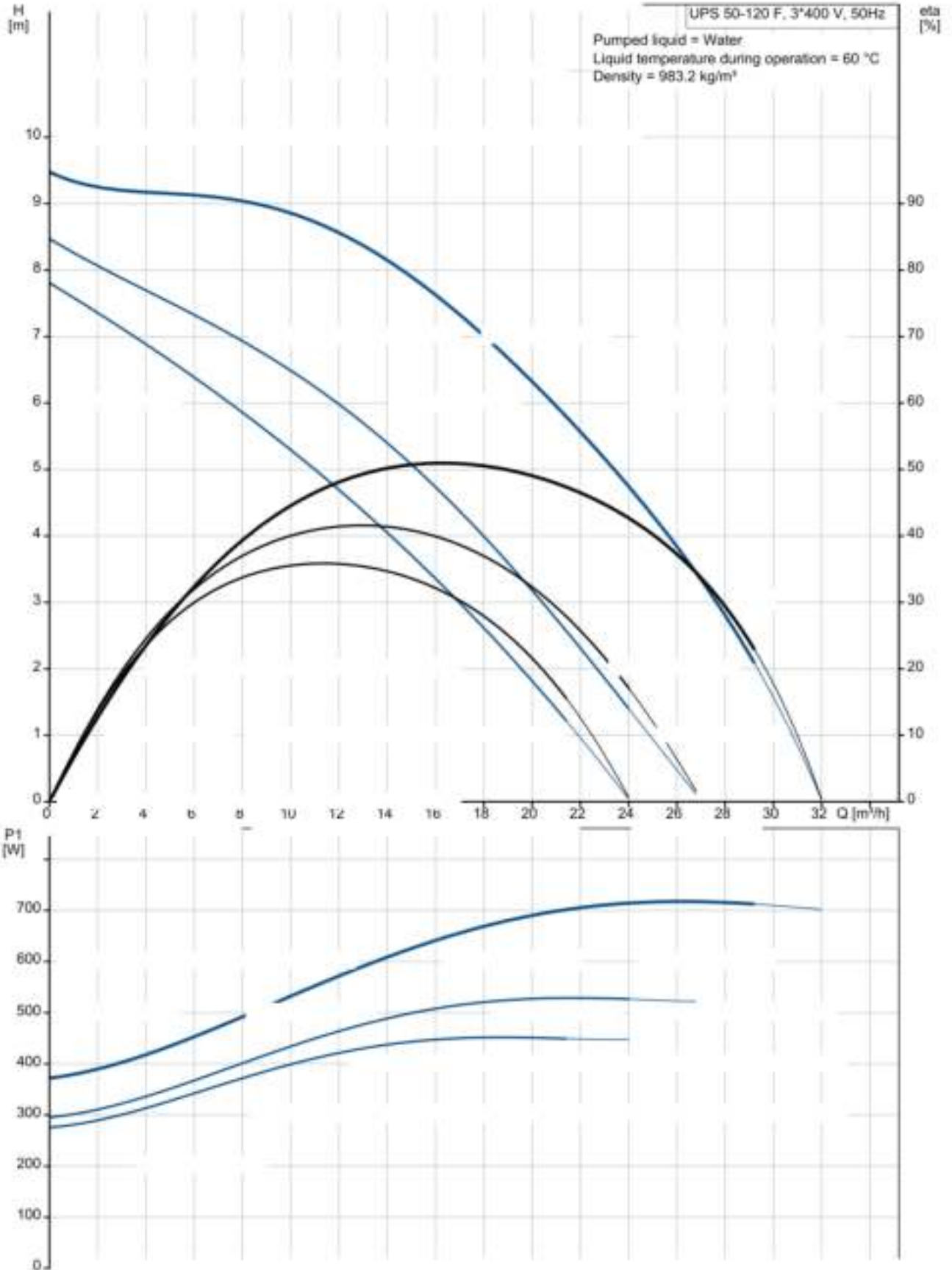
Pump housing: Cast iron
 EN-JL1040
 ASTM 35 B - 40 B
 Impeller: Stainless steel
 DIN W.-Nr. 1.4301
 AISI 304

Installation:

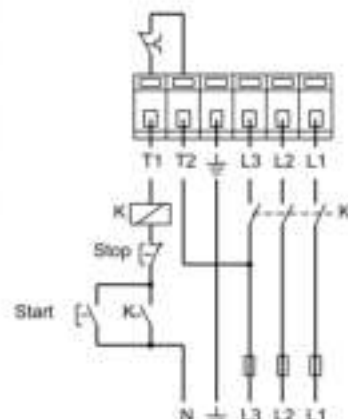
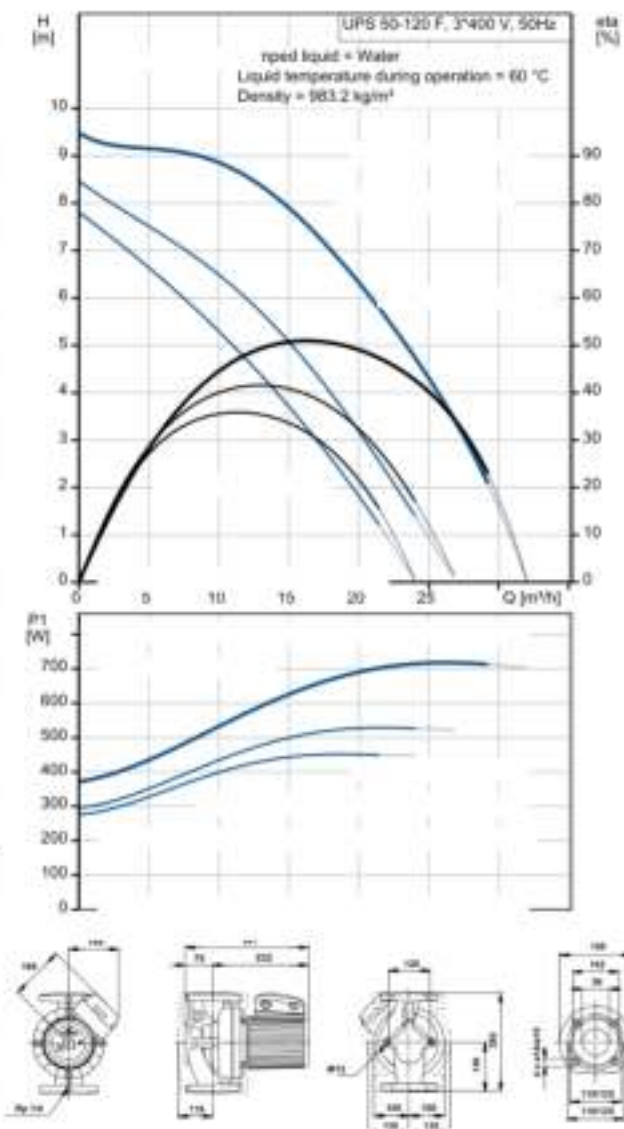
Range of ambient temperature: 0 .. 40 °C

Qty.	Description	-
	Maximum operating pressure:	10 bar
	Flange standard:	DIN
	Pipe connection:	DN 50
	Pressure rating:	PN 6 / PN 10
	Port-to-port length:	280 mm
	Electrical data:	
	Power input in speed 1:	450 W
	Power input in speed 2:	530 W
	Max. power input:	720 W
	Mains frequency:	50 Hz
	Rated voltage:	3 x 400-415 V
	Current in speed 1:	0.82 A
	Current in speed 2:	0.94 A
	Current in speed 3:	1.3 A
	Cos phi in speed 1:	0.79
	Cos phi in speed 2:	0.81
	Cos phi:	0.8
	Insulation class (IEC 85):	H
	Enclosure class (IEC 60529):	X4D
	Others:	
	Net weight:	24.3 kg
	Gross weight:	25.8 kg
	Shipping volume:	0.034 m ³
	Danish VVS No.:	380725042
	Norwegian NRF no.:	9042424

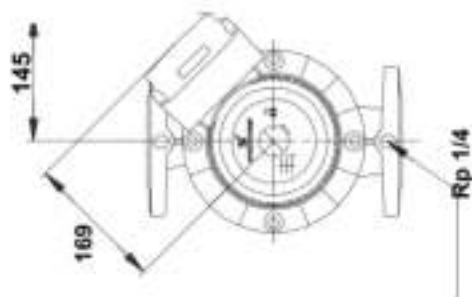
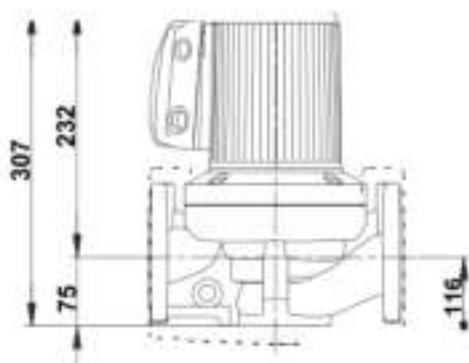
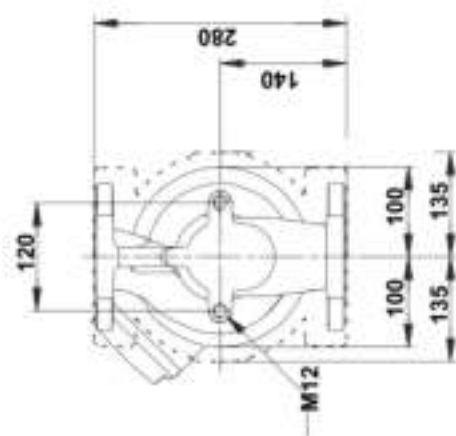
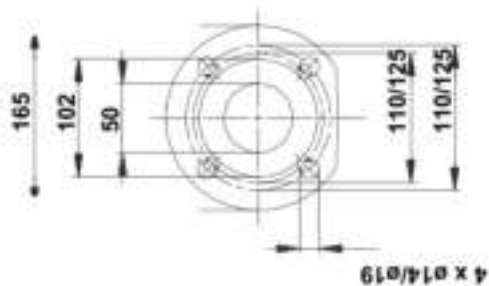
96402103 UPS 50-120 F 50 Hz



Description	Value
General information:	
Product name:	UPS 50-120 F
Product No:	96402103
EAN number:	5708601058929
Price:	
Technical:	
Speed no:	3
Head max:	120 dm
Approvals on nameplate:	AAA,EAC
Materials:	
Pump housing:	Cast iron
Pump housing:	EN-JL1040
Pump housing:	ASTM 35 B - 40 B
Impeller:	Stainless steel
Impeller:	DIN W.-Nr. 1.4301
Impeller:	AISI 304
Installation:	
Range of ambient temperature:	0 .. 40 °C
Maximum operating pressure:	10 bar
Flange standard:	DIN
Pipe connection:	DN 50
Pressure rating:	PN 6 / PN 10
Port-to-port length:	280 mm
Liquid:	
Pumped liquid:	Water
Liquid temperature range:	-10 .. 120 °C
Selected liquid temperature:	60 °C
Density:	983.2 kg/m ³
Electrical data:	
Power input in speed 1:	450 W
Power input in speed 2:	530 W
Max. power input:	720 W
Mains frequency:	50 Hz
Rated voltage:	3 x 400-415 V
Current in speed 1:	0.82 A
Current in speed 2:	0.94 A
Current in speed 3:	1.3 A
Cos phi in speed 1:	0.79
Cos phi in speed 2:	0.81
Cos phi:	0.8
Insulation class (IEC 85):	H
Enclosure class (IEC 60529):	X4D
Motor protec:	CONTACT
Thermal protec:	external
Controls:	
Relay:	without relay
Pos term box:	1.30H
Others:	
Net weight:	24.3 kg
Gross weight:	25.8 kg
Shipping volume:	0.034 m ³
Danish VVS No.:	380725042
Norwegian NRF no.:	9042424

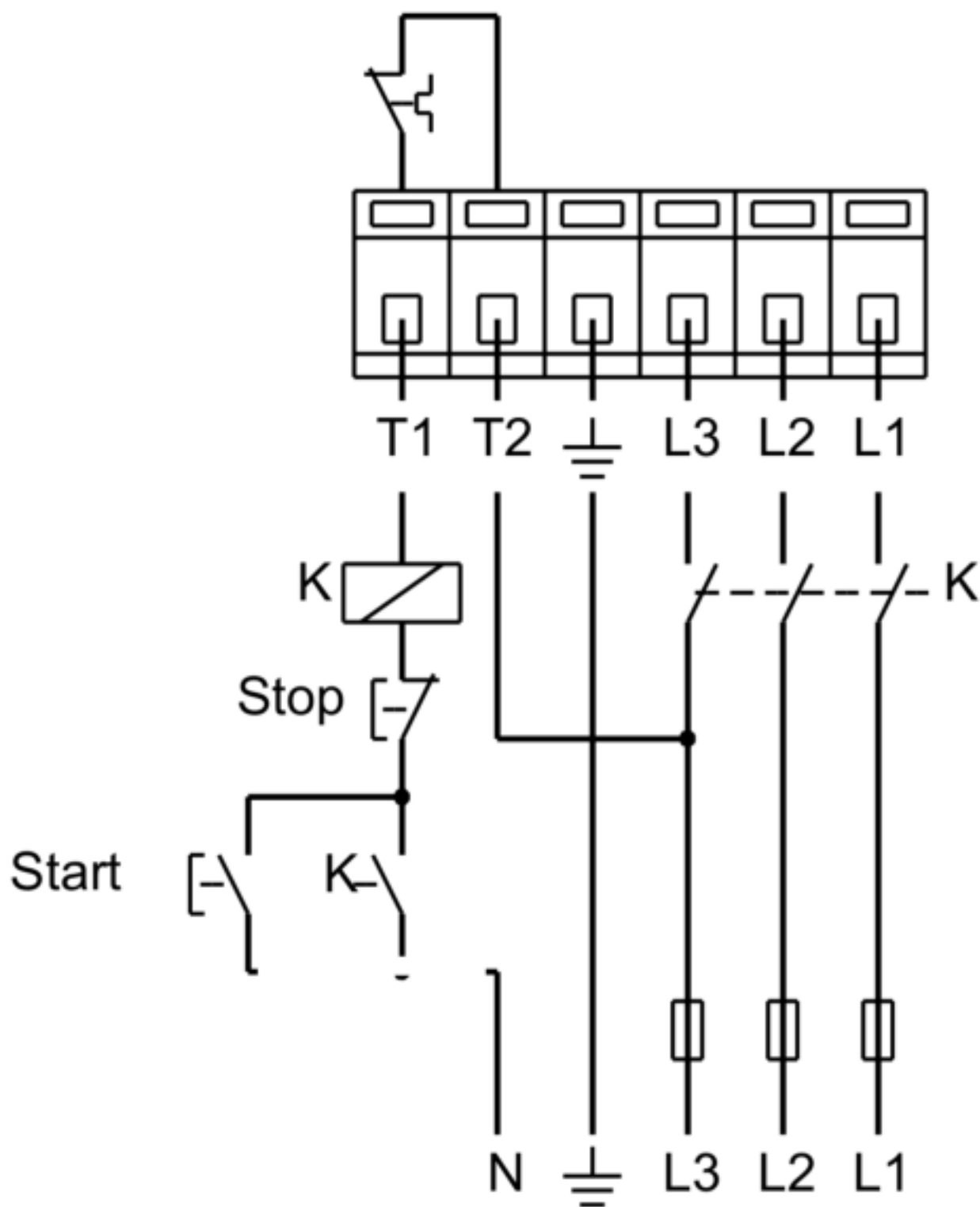


96402103 UPS 50-120 F 50 Hz



Note! All units are in [mm] unless others are stated.
 Disclaimer: This simplified dimensional drawing does not show all details.

96402103 UPS 50-120 F 50 Hz



Note! All units are in [mm] unless others are stated.