

Qty. Description  
1 UPS 15-50 130



Note! Product picture is not representative of the actual product

Product No.: On request

The pump is of the canned rotor type, i.e. pump and motor form an integral unit without shaft seal and with only two gaskets for sealing.

The bearings are lubricated by the pumped liquid.

Speed no: The pump has 3-step

The pump is characterized by:

- \* Ceramic shaft and radial bearings.
- \* Carbon axial bearing.
- \* Stainless steel rotor can and bearing plate.

Impeller: \* Corrosion-resistant material, PES/PP.

Pump housing: \* Cast iron pump housing.

Phase: The motor is a 1-phase motor.

No additional motor protection is required.

Liquid:

Pumped liquid: Water  
Liquid temperature range: 2 .. 110 °C  
Selected liquid temperature: 60 °C  
Density: 983.2 kg/m<sup>3</sup>

Technical:

TF class: 110  
Approvals on nameplate: VDE, EAC

Materials:

Pump housing: Cast iron  
EN-JL1030  
ASTM 30 B  
Impeller: Composite, PES/PP

Installation:

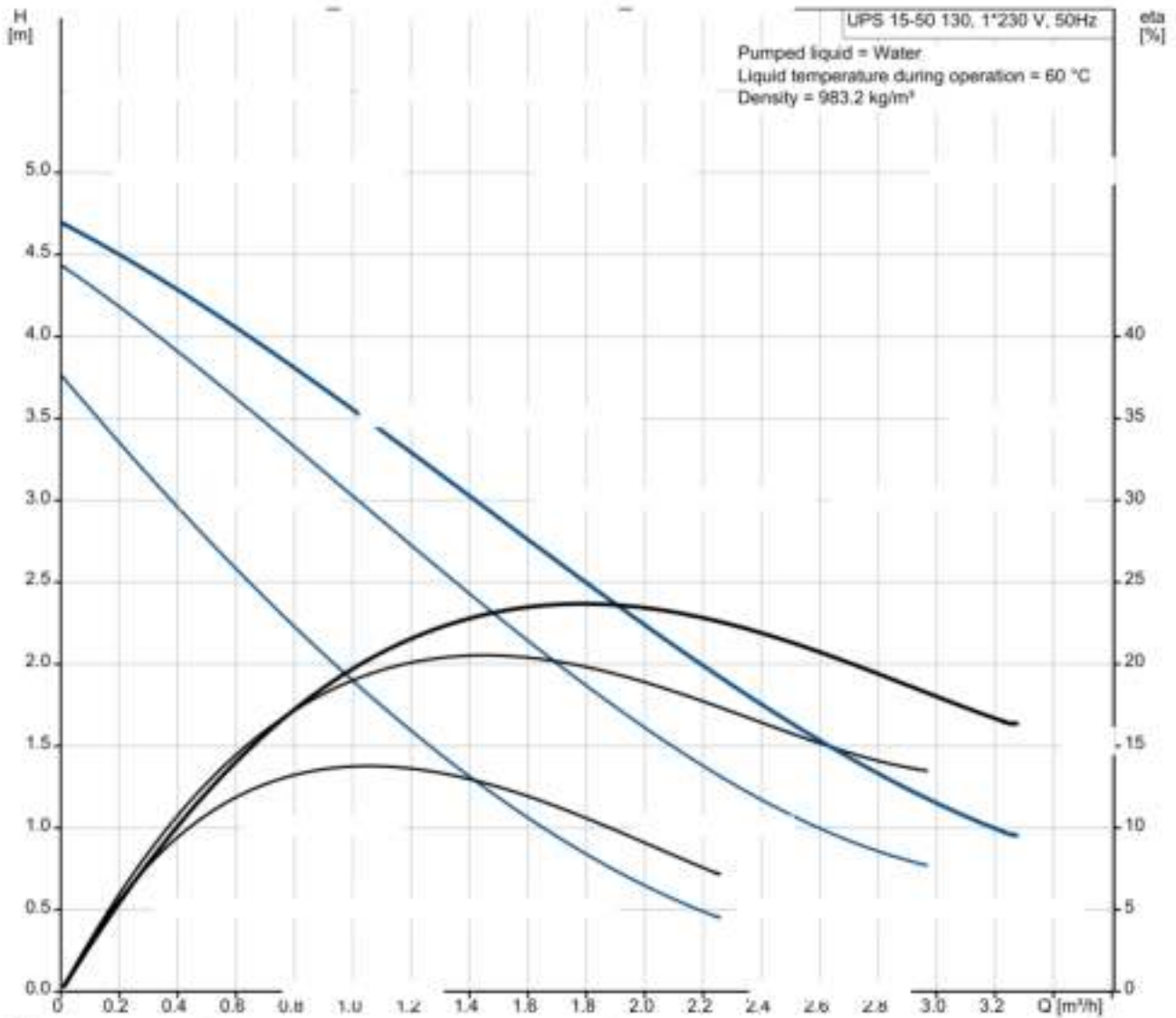
Amb. max at 80 dgr C liquid: 40 °C  
Maximum operating pressure: 10 bar  
Pipe connection: G 1  
Pressure rating: PN 10  
Port-to-port length: 130 mm

Electrical data:

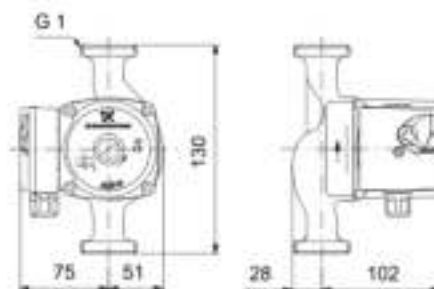
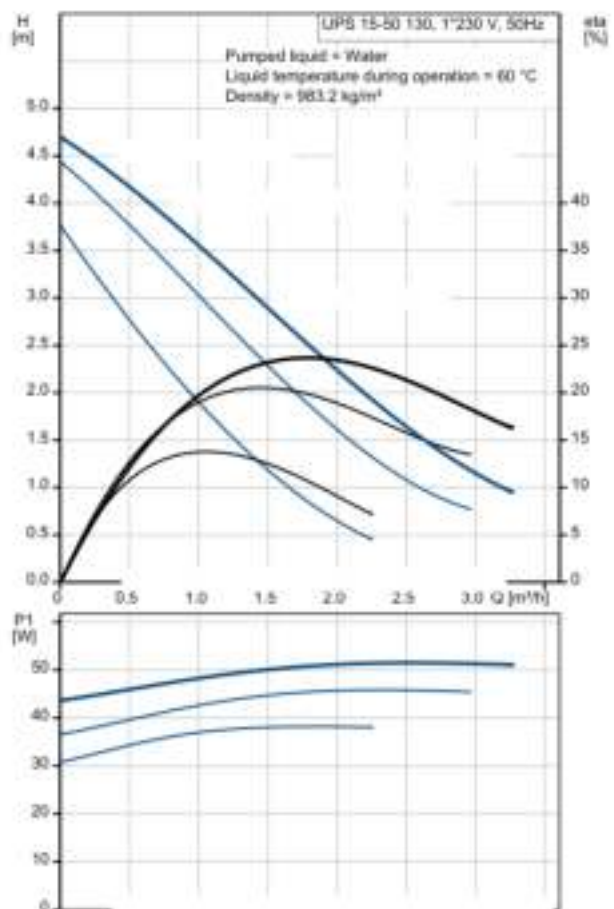
Power input in speed 1: 35 W  
Power input in speed 2: 45 W  
Max. power input: 50 W  
Mains frequency: 50 Hz

Qty.	Description	
	Rated voltage:	1 x 230 V
	Current in speed 1:	0.16 A
	Current in speed 2:	0.2 A
	Current in speed 3:	0.23 A
	Capacitor size - run:	2 $\mu$ F
	Enclosure class (IEC 34-5):	IP44
	Insulation class (IEC 85):	F
	Others:	
	Net weight:	2.3 kg
	Gross weight:	2.5 kg
	Shipping volume:	0.004 m <sup>3</sup>

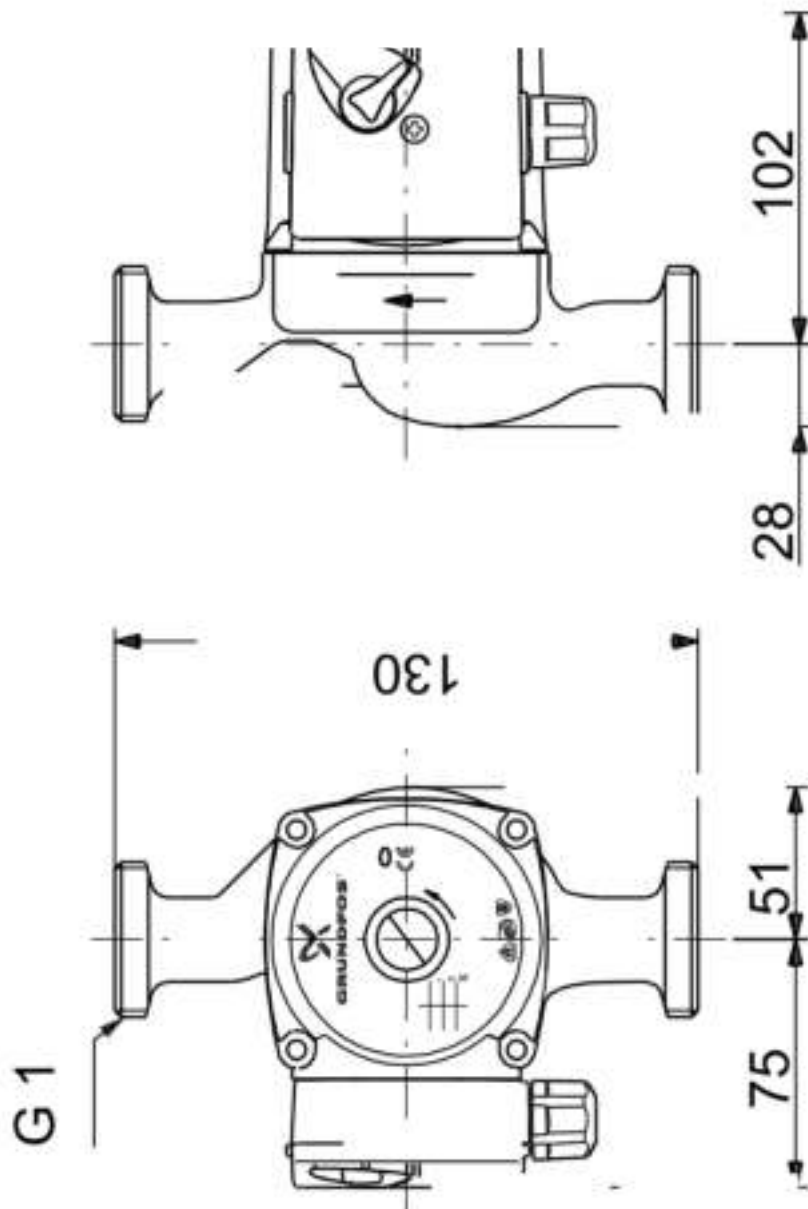
## On request UPS 15-50 130 50 Hz



Description	Value
<b>General information:</b>	
Product name:	UPS 15-50 130
Product No:	On request
EAN number:	On request
Price:	
<b>Technical:</b>	
Speed no:	3
Head max:	50 dm
TF class:	110
Approvals on nameplate:	VDE,EAC
<b>Materials:</b>	
Pump housing:	Cast iron
Pump housing:	EN-JL1030
Pump housing:	ASTM 30 B
Impeller:	Composite, PES/PP
<b>Installation:</b>	
Amb. max at 80 dgr C liquid:	40 °C
Maximum operating pressure:	10 bar
Pipe connection:	G 1
Pressure rating:	PN 10
Port-to-port length:	130 mm
<b>Liquid:</b>	
Pumped liquid:	Water
Liquid temperature range:	2 .. 110 °C
Selected liquid temperature:	60 °C
Density:	983.2 kg/m <sup>3</sup>
<b>Electrical data:</b>	
Power input in speed 1:	35 W
Power input in speed 2:	45 W
Max. power input:	50 W
Mains frequency:	50 Hz
Rated voltage:	1 x 230 V
Current in speed 1:	0.16 A
Current in speed 2:	0.2 A
Current in speed 3:	0.23 A
Capacitor size - run:	2 µF
Enclosure class (IEC 34-5):	IP44
Insulation class (IEC 85):	F
Motor protec:	NONE
Thermal protec:	Impedance protected
<b>Controls:</b>	
Pos term box:	9H
<b>Others:</b>	
Net weight:	2.3 kg
Gross weight:	2.5 kg
Shipping volume:	0.004 m <sup>3</sup>

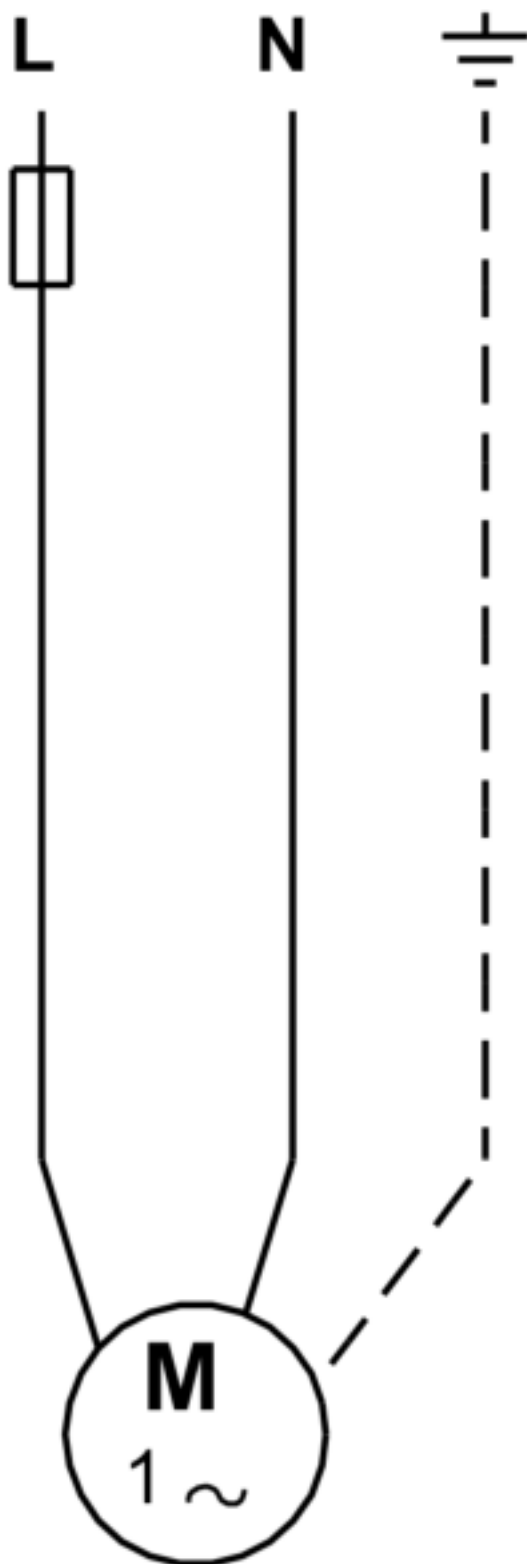


**On request UF**



Note! All units are in [mm] unless others are stated.  
Disclaimer: This simplified dimensional drawing does not show all details.

On request UPS 15-50 130 50 Hz



Note! All units are in [mm] unless others are stated.