

DATA SHEET



Three Phase Induction Motor - Squirrel Cage

Customer :					
Product line : W22 IE1 Three-Phase					
Frame	: 180M	Locked rotor time	: 21s (cold) 12s (hot)		
Output	: 18.5 kW	Temperature rise	: 80 K		
Poles	: 4	Duty cycle	: S1		
Frequency	: 50 Hz	Ambient temperature	: -20°C to +40°C		
Rated voltage	: 380/660 V	Altitude	: 1000 m.a.s.l.		
Rated current	: 37.2/21.4 A	Protection degree	: IP55		
L. R. Amperes	: 260/150 A	Cooling method	: IC411 - TEFC		
LRC	: 7.0	Mounting	: B3T		
No load current	: 14.7/8.46 A	Rotation ¹	: Both (CW and CCW)		
Rated speed	: 1465 rpm	Noise level ²	: 61.0 dB(A)		
Slip	: 2.33 %	Starting method	: Direct On Line		
Rated torque	: 12.3 kgfm	Approx. weight ³	: 161 kg		
Locked rotor torque	: 240 %				
Breakdown torque	: 280 %				
Insulation class	: F				
Service factor	: 1.00				
Moment of inertia (J)	: 0.1398 kgm ²				
Design	: N				
Output	50%	75%	100%	Foundation loads	
Efficiency (%)	88.0	89.5	90.0	Max. traction	: 430 kgf
Power Factor	0.70	0.80	0.84	Max. compression	: 591 kgf
		<u>Drive end</u>	<u>Non drive end</u>		
Bearing type	:	6311 C3	6211 Z C3		
Sealing	:	V'Ring	V'Ring		
Lubrication interval	:	20000 h	20000 h		
Lubricant amount	:	18 g	11 g		
Lubricant type	:	Mobil Polyrex EM			
Notes					
This revision replaces and cancel the previous one, which must be eliminated. (1) Looking the motor from the shaft end. (2) Measured at 1m and with tolerance of +3dB(A). (3) Approximate weight subject to changes after manufacturing process. (4) At 100% of full load.			These are average values based on tests with sinusoidal power supply, subject to the tolerances stipulated in IEC 60034-1.		
Rev.	Changes Summary		Performed	Checked	Date
Performed by					
Checked by				Page	Revision
Date	21/11/2018			1 / 4	

DATA SHEET

Three Phase Induction Motor - Squirrel Cage



Customer : _____

Thermal protection

ID	Application	Type	Quantity	Sensing Temperature
1	Winding	Thermistor - 2 wires	1 x Phase	155 °C

Rev.	Changes Summary	Performed	Checked	Date
Performed by				
Checked by			Page	Revision
Date	21/11/2018		2 / 4	

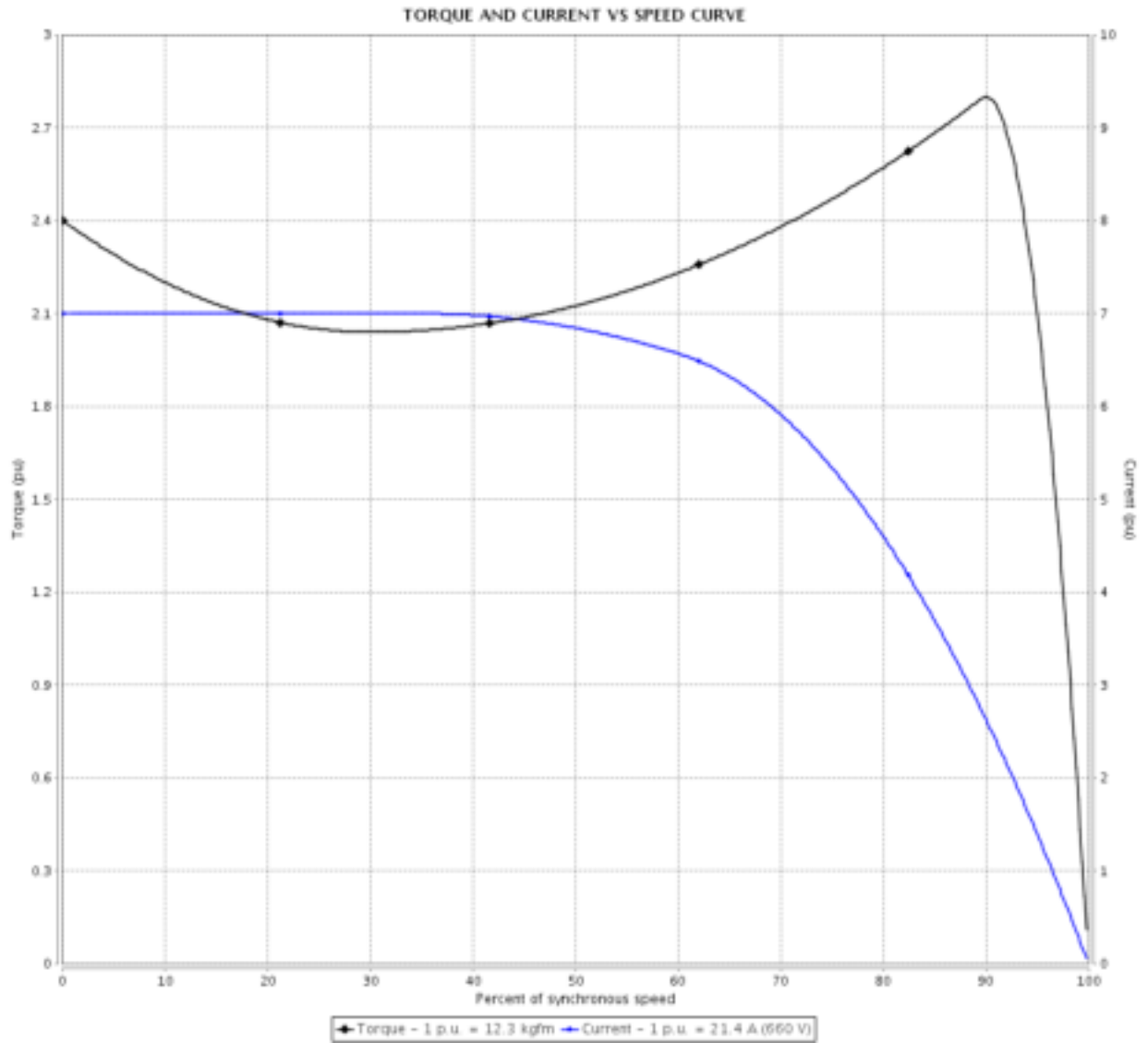
TORQUE AND CURRENT VS SPEED CURVE



Three Phase Induction Motor - Squirrel Cage

Customer : _____

Product line : W22 IE1 Three-Phase



Performance : 380/660 V 50 Hz 4P

Rated current	: 37.2/21.4 A	Moment of inertia (J)	: 0.1398 kgm ²
LRC	: 7.0	Duty cycle	: S1
Rated torque	: 12.3 kgfm	Insulation class	: F
Locked rotor torque	: 240 %	Service factor	: 1.00
Breakdown torque	: 280 %	Temperature rise	: 80 K
Rated speed	: 1465 rpm	Design	: N

Locked rotor time : 21s (cold) 12s (hot)

Rev.	Changes Summary	Performed	Checked	Date
Performed by			Page 3 / 4	Revision
Checked by				
Date	21/11/2018			

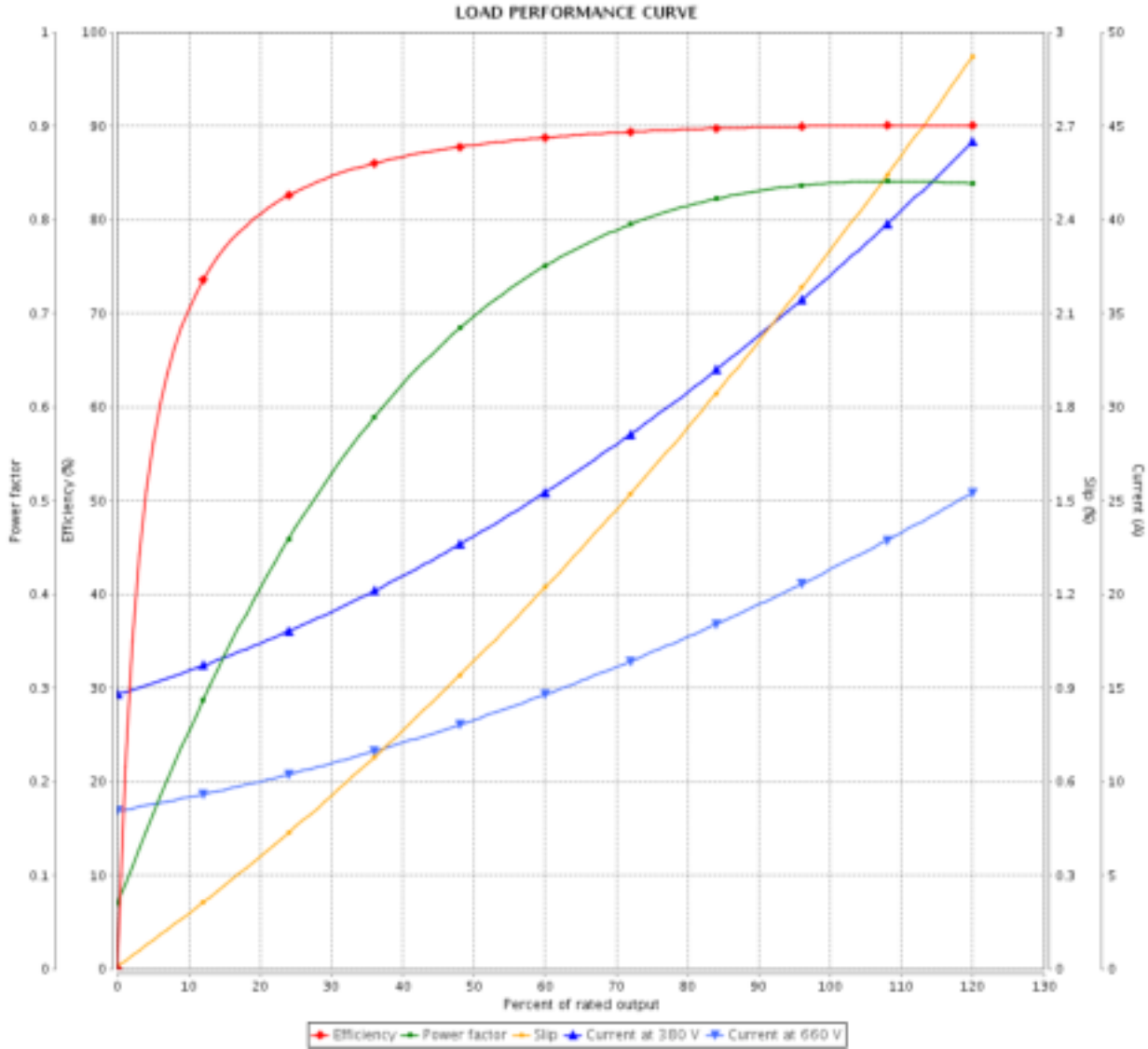
LOAD PERFORMANCE CURVE

Three Phase Induction Motor - Squirrel Cage



Customer : _____

Product line : W22 IE1 Three-Phase



Performance : 380/660 V 50 Hz 4P

Rated current : 37.2/21.4 A
 LRC : 7.0
 Rated torque : 12.3 kgfm
 Locked rotor torque : 240 %
 Breakdown torque : 280 %
 Rated speed : 1465 rpm

Moment of inertia (J) : 0.1398 kgm²
 Duty cycle : S1
 Insulation class : F
 Service factor : 1.00
 Temperature rise : 80 K
 Design : N

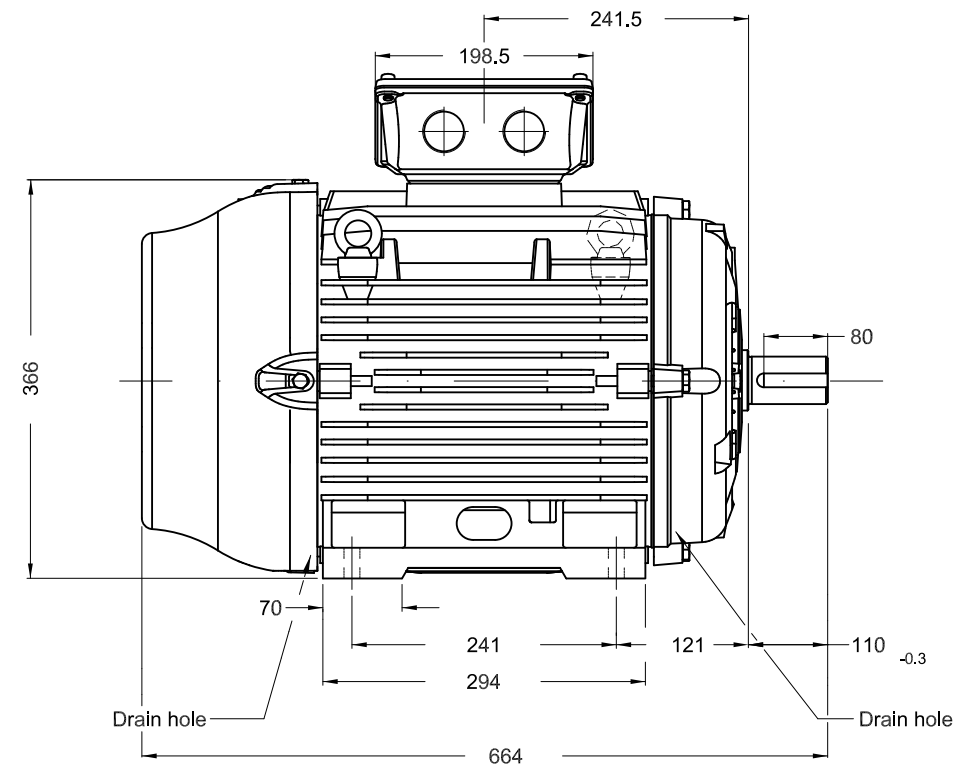
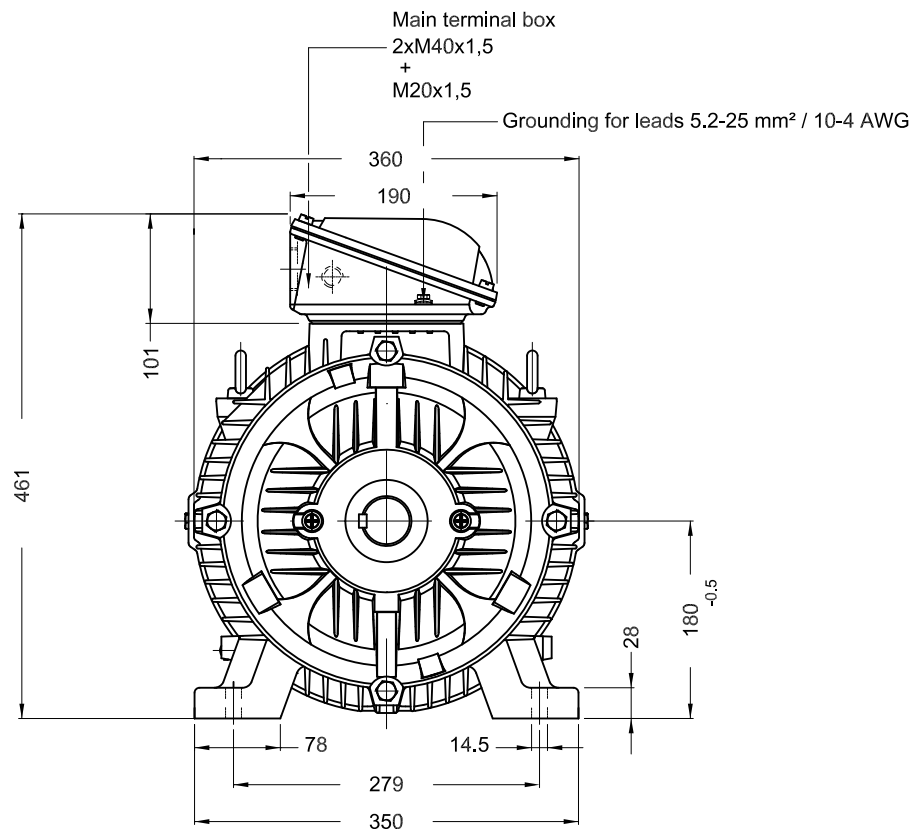
Rev.	Changes Summary	Performed	Checked	Date
Performed by			Page 4 / 4	Revision
Checked by				
Date	21/11/2018			

1 2 3 4 5 6

A

B

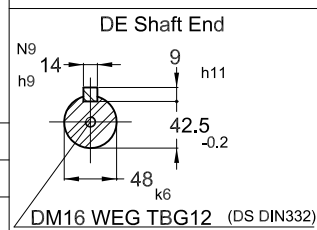
C



D

E

Color RAL 5009
Painting plan 203A
Mounting B3T



18.5 kW 04 Poles 50 Hz A

ECM	LOC	SUMMARY OF MODIFICATIONS	EXECUTED	CHECKED	RELEASED	DATE	VER
EXECUTED	USERADMIN	THREE PHASE W22 MOTOR					
CHECKED		FRAME 180M IP55 TEFC					
RELEASED							
REL DT	WMO	Jaragua do Sul	Product Engineering				

PREVIEW
WDD



SHEET 1 / 1

Dimensions in mm

XME A3