



Vibration motor



8 POLE

50 Hz-750 rpm ~ 60 Hz-900 rpm

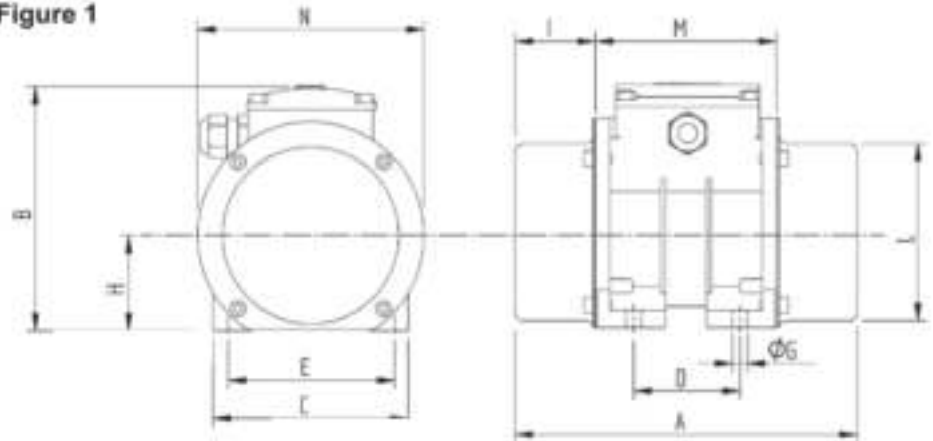


*Please contact us for 60 Hz values.

| MECHANICAL SPECIFICATIONS | | | | | | ELECTRICAL SPECIFICATIONS | | |
|---------------------------|-----------|-------------------|-------|---------------|--------|---------------------------|--------------|------------------|
| RPM | TYPE | Centrifugal Force | | Static Moment | Weight | Nominal Voltage | Max. Current | Max. Input Power |
| 50 Hz | | KG | N | kgmm | KG | V | A | Kw |
| 750 | VD 8-200 | 195 | 1913 | 310 | 28,0 | 230/400 | 1,38/0,80 | 0,43 |
| | VD 8-300 | 290 | 2845 | 461 | 33,0 | 230/400 | 1,55/0,90 | 0,43 |
| | VE 8-520 | 510 | 5003 | 811 | 64,5 | 230/400 | 2,68/1,55 | 0,5 |
| | VE 8-780 | 765 | 7505 | 1217 | 73,0 | 230/400 | 2,77/1,60 | 0,55 |
| | VG 8-1000 | 1000 | 9810 | 1590 | 92,0 | 230/400 | 3,98/2,30 | 0,95 |
| | VG 8-1200 | 1200 | 11772 | 1908 | 99,0 | 230/400 | 4,67/2,70 | 1,1 |
| | VH 8-1500 | 1500 | 14715 | 2386 | 119,0 | 230/400 | 6,92/4,00 | 1,5 |
| | VK 8-2200 | 2200 | 21582 | 3499 | 174,0 | 230/400 | 12,30/7,10 | 2,5 |
| | VK 8-2650 | 2650 | 25997 | 4214 | 184,0 | 230/400 | 12,30/7,10 | 2,5 |
| | VL 8-3700 | 3711 | 36405 | 5902 | 260,0 | 400/690 | 11,00/6,35 | 5,0 |
| | VL 8-4500 | 4598 | 45106 | 7313 | 277,0 | 400/690 | 11,00/6,35 | 5,0 |

Working Moment = 2 x Static Moment

Figure 1



| DIMENSIONS (mm) | | | | | | | | | | | | | |
|-----------------|-----|-----|-----|-----|-----|------|-----|-----|-----|-----|-----|-------------|---------|
| TYPE | A | B | C | D | E | ØGx4 | H | I | L | M | N | Cable Entry | Fig. No |
| VD 8-200 | 368 | 235 | 210 | 120 | 170 | 17 | 109 | 89 | 188 | 190 | 230 | M20 x 1,5 | 1 |
| VD 8-300 | 416 | 235 | 210 | 120 | 170 | 17 | 109 | 113 | 188 | 190 | 230 | M20 x 1,5 | 1 |
| VE 8-520 | 520 | 253 | 235 | 140 | 190 | 17 | 116 | 131 | 212 | 259 | 274 | M20 x 1,5 | 2 |
| VE 8-780 | 578 | 253 | 235 | 140 | 190 | 17 | 116 | 160 | 212 | 259 | 274 | M20 x 1,5 | 2 |
| VG 8-1000 | 628 | 277 | 270 | 155 | 225 | 22 | 130 | 169 | 234 | 290 | 294 | M20 x 1,5 | 2 |
| VG 8-1200 | 628 | 277 | 270 | 155 | 225 | 22 | 130 | 169 | 234 | 290 | 294 | M20 x 1,5 | 2 |
| VH 8-1500 | 604 | 335 | 310 | 155 | 255 | 23,5 | 160 | 147 | 290 | 310 | 333 | M25 x 1,5 | 2 |
| VK 8-2200 | 702 | 355 | 340 | 180 | 280 | 26 | 170 | 186 | 310 | 330 | 327 | M25 x 1,5 | 2 |
| VK 8-2650 | 702 | 355 | 340 | 180 | 280 | 26 | 170 | 186 | 310 | 330 | 327 | M25 x 1,5 | 2 |
| VL 8-3700 | 832 | 400 | 390 | 200 | 320 | 28 | 195 | 233 | 383 | 365 | 384 | M25 x 1,5 | 2 |
| VL 8-4500 | 832 | 400 | 390 | 200 | 320 | 28 | 195 | 233 | 383 | 365 | 384 | M25 x 1,5 | 2 |

Figure 2

